

1

2

3

4

5

6

RevNo

Revision note

Date

Signature

Checked

Recommended spare parts:

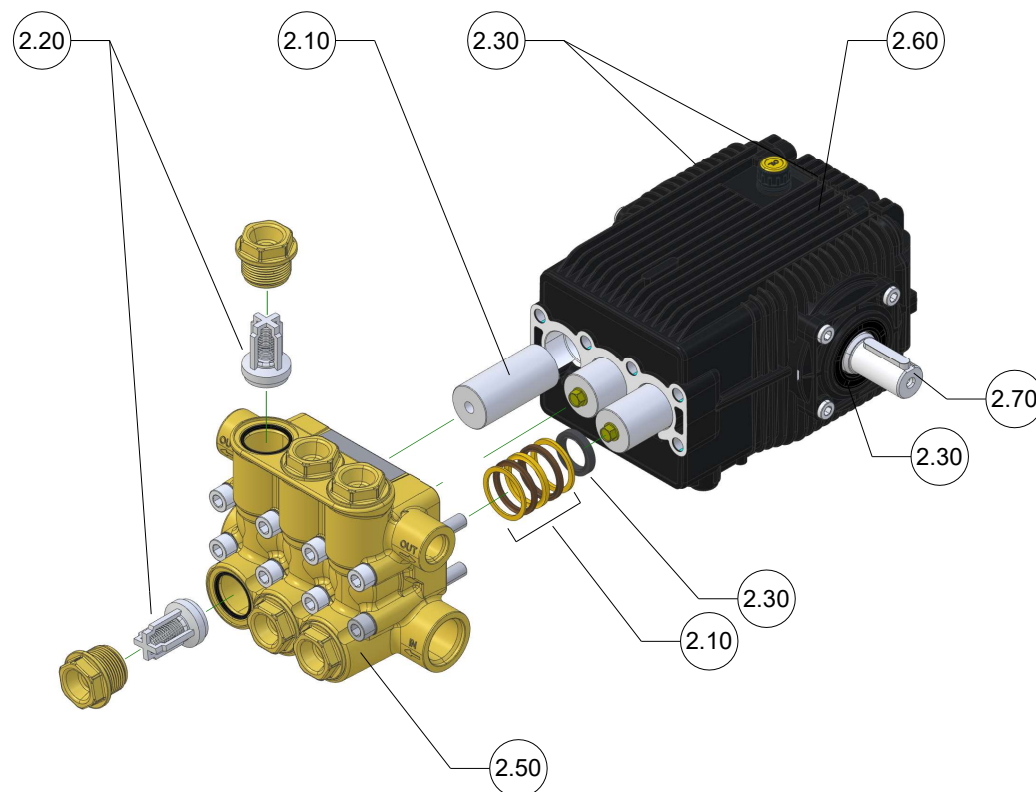
Ref.nr.	#	Part name	Materials
2.10	1	Water seals and plunger kit	NBR, Ceramic
2.20	1	In / Out valve kit	POM/PA66 cage Stainless steel valve

Other spare parts

Ref.nr.	#	Part Name	Materials
2.30	1	Oil seals kit	NBR

Materials remaining components

Ref.nr.	#	Part Name	Materials
2.50	1	Pump head	Brass CW617N or similar (or AISI 316L for optional SS head)
2.60	1	Body/carter	Cataphoresis Aluminum (EN AB-46100 or similar)
2.70	1	Crank shaft	Hardened steel + Tectyl corrosion protection
		O-rings	NBR

**FOR ORDERING SPARE PARTS:****Please state:**

- Serialnumber of the complete unit
- Ref.nr. and part name(s), and quantity requested

Note:

ALSO VALID FOR DUAL HEAD PUMPS
All kits contain the number of parts needed to
service all plungers on your serial number

Drawn by
WALLE

Checked by

Approved by - date

File name

Date
2021-12-28

Scale

Firemiks AB

P.O.Box 8155

SE-104 20 STOCKHOLM, Sweden

info@firemiks.com +46-8-551 196 10

SPARE PART DRAWING 2 PISTON PUMP materials

Copyright of Firemiks AB
All rights reserved

Edition

Sheet

1

2

3

6